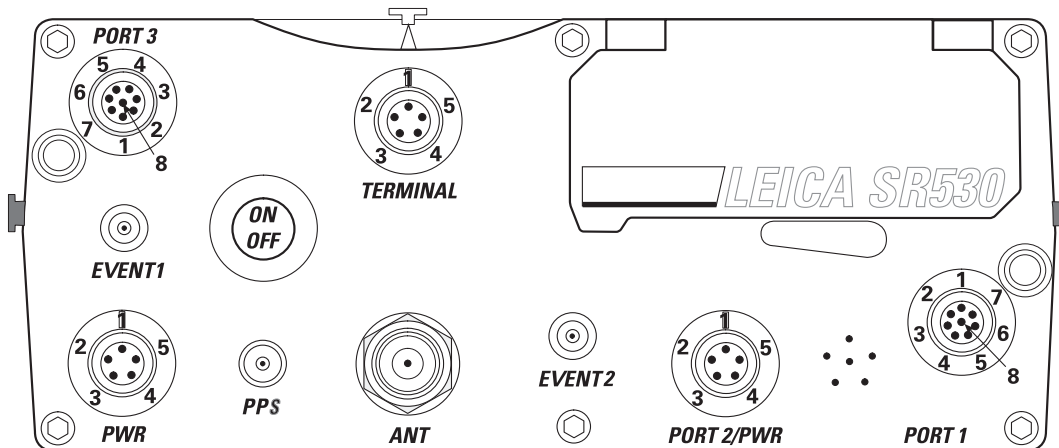


Appendix F - Pin Assignments



Port 1

| Pin | Function |
|-----|----------|
| 1 | RTS |
| 2 | CTS |
| 3 | GND |
| 4 | Rx |
| 5 | Tx |
| 6 | Vmod |
| 7 | Bat |
| 8 | +12V |

Port2/PWR

| Pin | Function |
|-----|----------|
| 1 | Bat |
| 2 | +12V |
| 3 | GND |
| 4 | Rx |
| 5 | Tx |

Port 3

| Pin | Function |
|-----|----------|
| 1 | RTS |
| 2 | CTS |
| 3 | GND |
| 4 | Rx |
| 5 | Tx |
| 6 | Vmod |
| 7 | Bat |
| 8 | +12V |

Terminal

| Pin | Function |
|-----|----------|
| 1 | KDU_ON |
| 2 | KDU_PWR |
| 3 | GND |
| 4 | Rx |
| 5 | Tx |

PWR

| Pin | Function |
|-----|----------|
| 1 | Bat |
| 2 | +12V |
| 3 | GND |
| 4 | --- |
| 5 | --- |